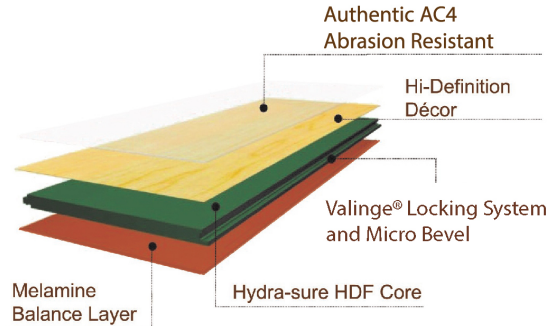


Features

- AC4 rated for heavy residential and general commercial traffic
- Indoor Air Quality and Formaldehyde Emission tests: **FloorScore certified**
- Aqua-Guard and Armor-Shield waxed technology on all 4 sides protect against moisture and reduce squeaking



Product Information

Product Line	8mm Laminate Flooring
Construction	Valinge™ locking system
Dimensions	8.3mm x 193mm x 1215mm Micro V-beveled edge
Core	High density fiberboard, density >850 kg/m ³
Warranty	Please refer to Warranty
Installation	Please refer to Installation Instruction, Care and Maintenance Guide

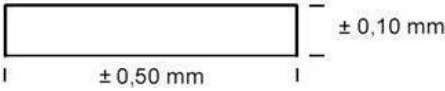


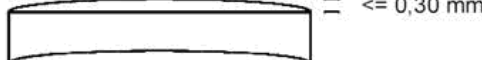
Essential Characteristics

Characteristics	Test Method	Requirement	Our products test result
Reaction to fire	EN13501-1	National requirement	Class C fl-s1
Content of pentachlorophenol	CEN/TR 14823	No content allowed	No content
Slip resistance	EN 13893	Class DS: $\mu \geq 0.30$	DS
Formaldehyde Emission	EN 717-1	$< 0.124 \text{ mg/m}^3$	Pass

Classification Requirements

Characteristic	Test Method	Evaluation
Effect of a furniture leg	EN 424 - no visible damage when tested with foot type 0	No change or damage
Effect of castor chair	EN 12529 - No change in appearance or damage	No change or damage
Abrasion resistance	EN 13329 Annex E, AC4 > 4000 (IP)	> 4000 (IP)
Impact resistance	EN 13329 Annex F, IC1, Small ball >200mm Large ball >1000mm	IC1
Resistance to staining	EN 438 -5 (Group 1 & 2) 4 (Group 3)	Group 1, 2, 3
Resistance to cigarette burn	EN 438 - Class 4	Class 4
Light fastness	EN ISO 105B02: Blue wool scale ≥ 6	Blue wool scale ≥ 6
Light fastness	EN ISO 20105A02: Grey scale ≥ 4	Grey Scale ≥ 4
Surface soundness	EN 13329 Annex D: $\geq 1.0\text{N/mm}^2$	$\geq 1.0\text{N/mm}^2$

Tolerance

Thickness swelling	≤18% with AVG 15%
Dimensional stability	≤0.9mm
Thickness Variance	≤0.5mm
Openings between join panels	≤0.15mm
Dimension Tolerance Length & Width (mm)	 ± 0,10 mm ± 0,50 mm
Squareness (mm)	 max. - min. ≤ 0,20 mm ∅ ± 0,10 mm
Height Variation (mm)	 ∅ ≤ 0,10 mm max. 0,15 mm
Edge Straightness (mm)	 ≤ 0,30 mm
Flatness	Width Flatness, concave<0.15%, convex<0.20% Length Flatness, concave<0.50%, convex<1.0%

Packaging Information

	Length (mm)	Width (mm)	Thickness (mm)	Sq. ft. per Carton	Weight (lb. per carton)
Plank	1215	193	8.3		
Carton	1240	1030	85	25.4	38

Pallet Information

	Length (mm)	Width (mm)	Height (mm)	Volume (m³)	# of carton per Pallet	Sq. ft. /pallet	Weight (lb.)
Pallet	1240	1030	1070	1.37	55	1397.0	2090