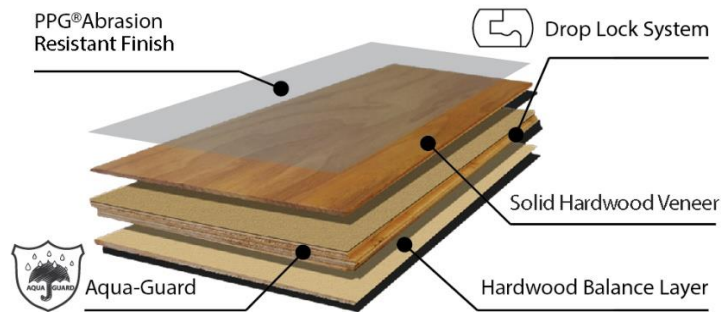


Features

- Uniclic® licensed Drop & Lock joint system, help save up to 50% on installation time
- Indoor Air Quality and Formaldehyde Emission tests: FloorScore certified, CARB 93120 Phase 2 and EPA 40 C.F.R. 770 compliant
- Aqua-Guard protects against moisture, allows for an easier installation, and reduces squeaking



Product Information

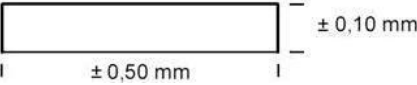
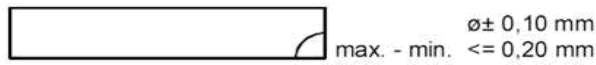
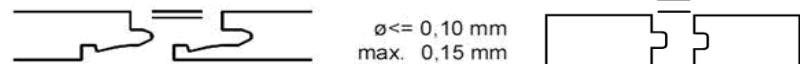

Product Line	Evolution North American Engineered Hardwood Flooring
Construction	Drop & Lock licensed by Uniclic® and Valinge™
Wood Species	Hickory, White Oak, Acacia
Dimensions	Hickory and White Oak: 4-7/8" x 1/2" x R.L. Acacia: 4-3/4" x 1/2" x R.L.
The Look	Handscraped and/or Wirebrushed
Veneer and Finish	9 coats of PPG® stain and Aluminum Oxide finish 1.5mm hardwood veneer
Sawn method	Sliced sawn
Warranty	Please refer to Warranty
Installation	Please refer to Installation Instruction, Care and Maintenance Guide

Essential Characteristics

Characteristics	Test Method	Requirement	Our products test result
Reaction to fire	EN13501-1	National requirement	Class C fl-s1
Content of pentachlorophenol	CEN/TR 14823	No content allowed	No content
Slip resistance	EN 13893	Class DS: $\mu \geq 0.30$	DS
Formaldehyde Emission	EN 717-1	≤ 0.5 mg/L	Pass

Classification Requirements

Characteristic	Test Method	Valuation
Effect of a furniture leg	EN 424	We recommend the use of protective mats
Effect of castor chair	EN 425	We recommend using felt pads under all furniture legs
Chemical resistance	EN 13442	Category 5
Bond strength/gross cut test	ISO 2409	Category 0
Moisture content	EN 13489	6-9%

Tolerance	
Thickness Variance	≤0.5mm
Openings between join panels	≤0.15mm
Dimension Tolerance Length & Width (mm)	
Squareness (mm)	
Height Variation (mm)	
Edge Straightness (mm)	
Flatness	Width Flatness, concave<0.15%, convex<0.20% Length Flatness, concave<0.50%, convex<1.0%

Packaging Information					
	Length (mm)	Width (mm)	Thickness (mm)	Sq. ft. per Carton	Weight (lb. per carton)
Plank: Acacia	Assorted Lengths 305-1200	121	13		
Plank	Assorted Lengths 400-1220	124	13		
Carton: Acacia	1820	250	80	28	45
Carton	1220	265	100	25.84	43

Pallet Information							
	Length (mm)	Width (mm)	Height (mm)	Volume (m³)	# of carton per Pallet	Sq. ft. /pallet	Weight (lb.)
Pallet: Acacia	1820	1020	1050	1.95	48	1344	2160
Pallet	1220	1090	1030	1.37	36	930.24	1548