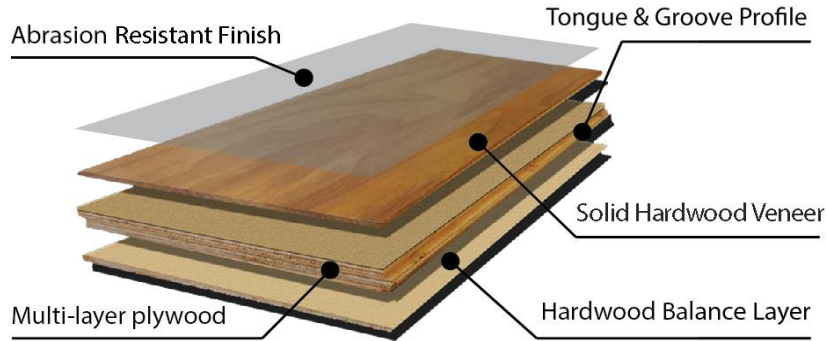


Features

- 3/4" thickness will install flush with existing hardwood flooring, eliminate the need for transitional mouldings
- Indoor Air Quality and Formaldehyde Emission tests: FloorScore certified, CARB 93120 Phase 2 and EPA 40 C.F.R. 770 compliant



Product Information

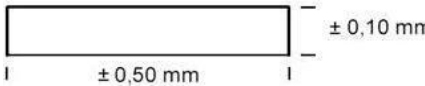

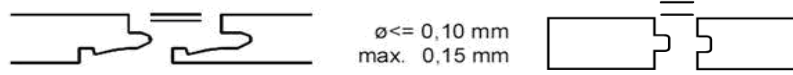
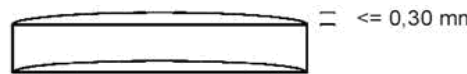
Product Line	Crafters Mission Engineered Hardwood Flooring
Construction	Tongue and Groove
Wood Species	White Oak, Maple, Hickory
Dimensions	5" x 3/4" x R.L. (16"- 71")
The Look	Handscraped and/or Wirebrushed
Veneer and Finish	8 coats UV cured Traffert® polyurethane finish with Aluminum Oxide
Sawn method	All are sliced sawn
Warranty	Please refer to Warranty
Installation	Please refer to Installation Instruction, Care and Maintenance Guide

Essential Characteristics

Characteristics	Test Method	Requirement	Our products test result
Reaction to fire	EN13501-1	National requirement	Class C fl-s1
Content of pentachlorophenol	CEN/TR 14823	No content allowed	No content
Slip resistance	EN 13893	Class DS: $\mu \geq 0.30$	DS
Formaldehyde Emission	EN 717-1	≤ 0.5 mg/L	Pass

Classification Requirements

Characteristic	Test Method	Valuation
Effect of a furniture leg	EN 424	We recommend the use of protective mats
Effect of castor chair	EN 425	We recommend using felt pads under all furniture legs
Chemical resistance	EN 13442	Category 5
Bond strength/gross cut test	ISO 2409	Category 0
Moisture content	EN 13489	6-9%

Tolerance	
Thickness Variance	≤0.5mm
Openings between join panels	≤0.15mm
Dimension Tolerance Length & Width (mm)	
Squareness (mm)	
Height Variation (mm)	
Edge Straightness (mm)	
Flatness	Width Flatness, concave<0.15%, convex<0.20% Length Flatness, concave<0.50%, convex<1.0%

Packaging Information (ENG701-S,703-S,704-S,705-S,706-S,727,734)

	Length (mm)	Width (mm)	Thickness (mm)	Sq. ft. per carton	Weight lb/box
Plank	Assorted Lengths 400-1800	127	19		
Carton	1820	267	77	19.7	46

Packaging Information (ENG707,ENG709)

	Length (mm)	Width (mm)	Thickness (mm)	Sq. ft. per Carton	Weight (lb. per
Plank	Assorted Lengths 400-1800	127	19		
Carton	1820	267	95	24.7	58

Pallet Information (ENG701-S,703-S,704-S,705-S,706-S,727,734)

	Length (mm)	Width (mm)	Height (mm)	Volume (m ³)	# of carton per Pallet	Sq. ft. /pallet	Weight (lb.)
Pallet	1245	1092	1024	1.39	48	946	2208

Pallet Information (ENG707,ENG709)

	Length (mm)	Width (mm)	Height (mm)	Volume (m ³)	# of carton per Pallet	Sq. ft. /pallet	Weight (lb.)
Pallet	1245	1092	1050	1.43	40	988	2320