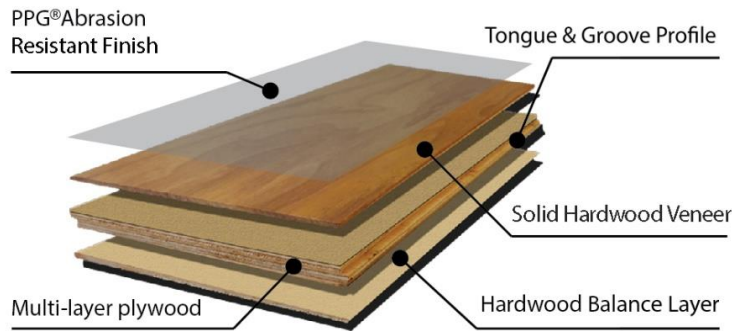


Features

- Our Habitat Collection includes five beautiful range of colours in White Oak.
- With its pristine look and low variation, the Habitat Collection will look beautiful in every home.
- Indoor Air Quality and Formaldehyde Emission tests: FloorScore certified, CARB 93120 Phase 2 and EPA 40 C.F.R. 770 compliant



Product Information

Product Line	Habitat Engineered Hardwood Flooring
Construction	Tongue and Groove
Wood Species	White Oak
Dimensions	6.5" x 3/4" x R.L. (up to 75")
The Look	Wirebrushed
Veneer and Finish	9 coats of PPG® and Aluminum Oxide finish.
Sawn method	Sliced cut, 1.5mm veneer
Warranty	5-Year Light Commercial and 35-Year Residential Limited Warranty
Installation	Please refer to Installation Instruction, Care and Maintenance Guide

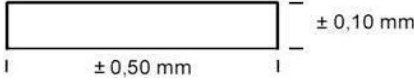
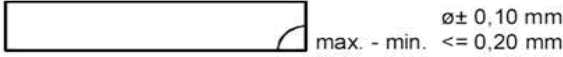
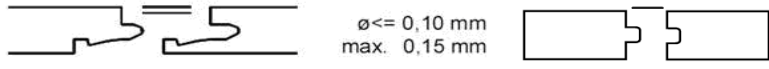
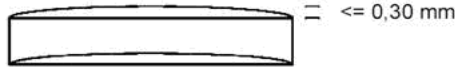
Essential Characteristics

Characteristics	Test Method	Requirement	Our products test result
Reaction to fire	EN13501-1	National requirement	Class C fl-s1
Content of pentachlorophenol	CEN/TR 14823	No content allowed	No content
Slip resistance	EN 13893	Class DS: $\mu \geq 0.30$	DS
Formaldehyde Emission	EN 717-1	≤ 0.5 mg/L	Pass

Classification Requirements

Characteristic	Test Method	Valuation
Effect of a furniture leg	EN 424	We recommend the use of protective mats
Effect of castor chair	EN 425	We recommend using felt pads under all furniture legs
Chemical resistance	EN 13442	Category 5
Bond strength/gross cut test	ISO 2409	Category 0
Moisture content	EN 13489	6-9%

Tolerance

Thickness Variance	≤0.5mm
Openings between join panels	≤0.15mm
Dimension Tolerance Length & Width (mm)	
Squareness (mm)	
Height Variation (mm)	
Edge Straightness (mm)	
Flatness	<p>Width Flatness, concave<0.15%, convex<0.20%</p> <p>Length Flatness, concave<0.50%, convex<1.0%</p>

Packaging Information

	Length (mm)	Width (mm)	Thickness (mm)	Sq. ft. per Carton	Weight (lb. per carton)
Plank	Assorted Lengths 630 - 1900	165	18		
Carton	1900	168	110	20.3	48

Pallet Information

	Length (mm)	Width (mm)	Height (mm)	Volume (m³)	# of carton per Pallet	Sq. ft. /pallet	Weight (lb.)
Pallet	1900	1010	980	1.88	48	974.4	2304