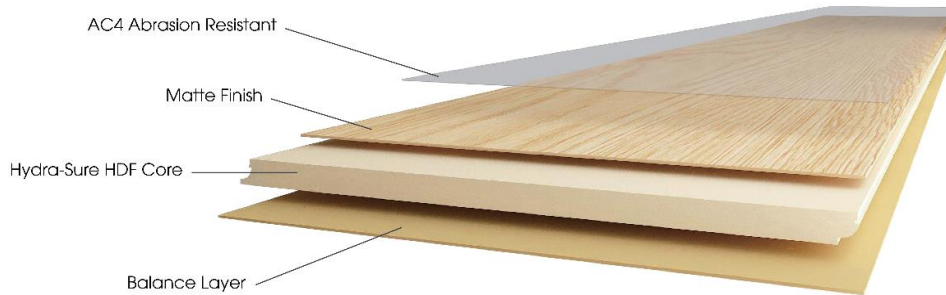


Features

- Super Matte Finish | Beautiful matte finish with trendy and modern colour options.
- A Breeze to Install | Fastest & easiest installation with the strongest 5G locking profile.
- AC4 Rating | Scratch & stain resistant. Suitable for commercial use with moderate traffic.
- CARB/EPA Compliant | Safest flooring for children and pets.
- EIR Finish | EIR products are equipped with Registered Embossing Technology.

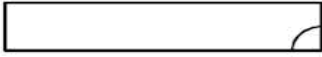
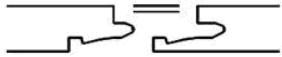
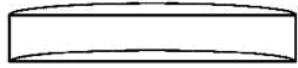


Product Information

Product Line	8mm and 12mm Laminate Flooring
Construction	Valinge 5G® Locking System
Dimensions	8mm x 196mm x 1216mm 12mm x 196mm x 1216mm
Core	High density Hydra-Sure HDF core
Warranty	Please refer to Warranty
Installation	Please refer to Installation Instruction, Care and Maintenance Guide

Product Performance

Testing	Test Method	Test Result
Effect of a furniture leg	EN 424	No visible damage
Castor chair resistance	EN 425	No visible damage
Residual Indentation	ISO 24343-1	Average: 0.01mm
Abrasion resistance	EN 13329 Annex E, AC4 > 4000 (IP)	AC4
Big ball impact resistance	EN 13329 Annex F	Impact Height 770mm
Small ball impact resistance	EN 13329 Annex F	Max. force: 20N
Resistance to staining	EN 438 -2	No change
Surface soundness	EN 13329 Annex D: $\geq 1.0\text{N}/\text{mm}^2$	1.37 MPa
Static coefficient of friction	ASTM C1028-07	Dry: 0.88 Wet: 0.68
Reaction to fire	EN13501-1	Class Bfl-s1
Light fastness	EN ISO 20105A02: Grey scale ≥ 4 Blue wool scale ≥ 6	Pass

Tolerance	
Dimensional stability	≤0.9mm
Thickness Variance	≤0.5mm
Openings between join panels	≤0.15mm
Dimension Tolerance Length & Width (mm)	Length: 0.50mm 0.020 in Width: 0.20mm 0.008 in
Squareness (mm)	 $\phi \pm 0,10 \text{ mm}$ max. - min. $\leq 0,20 \text{ mm}$
Height Variation (mm)	 $\phi \leq 0,10 \text{ mm}$ max. 0,15 mm
Edge Straightness (mm)	 $\leq 0,30 \text{ mm}$
Flatness	Width Flatness, concave<0.15%, convex<0.20% Length Flatness, concave<0.50%, convex<1.0%

Packaging Information					
	Length (mm)	Width (mm)	Thickness (mm)	Sq. ft. per Carton	Weight (lb. per carton)
Plank 8mm	1216	196	8		
Plank 12mm	1216	196	12		
Carton 8mm	1226	208	75	20.6	31
Carton 12mm	1226	208	82	15.4	34

Pallet Information							
	Length (mm)	Width (mm)	Height (mm)	Volume (m³)	# of carton per Pallet	Sq. ft. /pallet	Weight (lb.)
Pallet 8mm	1226	1040	1000	1.28	70	1442	2170
Pallet 12mm	1226	1040	1166	1.49	65	1001	2210