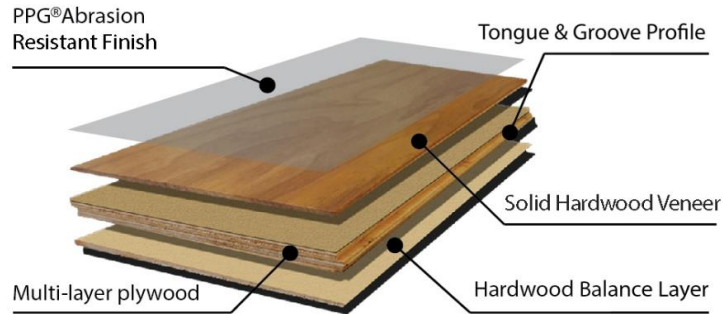


Features

- Longer and wider boards offer unparalleled aesthetics
- Indoor Air Quality and Formaldehyde Emission tests: FloorScore certified, CARB 93120 Phase 2 and EPA 40 C.F.R. 770 compliant
- The core is made of multiple plies of cross-grained void free eucalyptus and birch combined plywood



Product Information

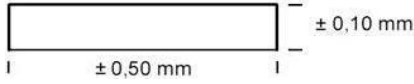
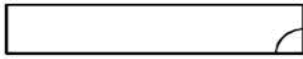
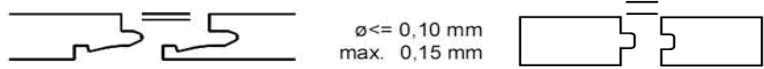
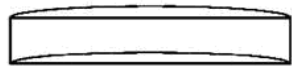
Product Line	Antique Perspective Plus Engineered Hardwood Flooring
Construction	Tongue and Groove
Wood Species	White Oak and Acacia
Dimensions	6-1/2" x 1/2" x R.L.
The Look	Wirebrushed
Veneer and Finish	9 coats of PPG® and Aluminum Oxide finish. 1.5mm hardwood veneer
Sawn method	Sliced sawn
Warranty	Please refer to Warranty
Installation	Please refer to Installation Instruction, Care and Maintenance Guide

Essential Characteristics

Characteristics	Test Method	Requirement	Our products test result
Reaction to fire	EN13501-1	National requirement	Class C fl-s1
Content of pentachlorophenol	CEN/TR 14823	No content allowed	No content
Slip resistance	EN 13893	Class DS: $\mu \geq 0.30$	DS
Formaldehyde Emission	EN 717-1	≤ 0.5 mg/L	Pass

Classification Requirements

Characteristic	Test Method	Valuation
Effect of a furniture leg	EN 424	We recommend the use of protective mats
Effect of castor chair	EN 425	We recommend using felt pads under all furniture legs
Chemical resistance	EN 13442	Category 5
Bond strength/gross cut test	ISO 2409	Category 0
Moisture content	EN 13489	6-9%

Tolerance	
Thickness Variance	≤0.5mm
Openings between join panels	≤0.15mm
Dimension Tolerance Length & Width (mm)	 <p>± 0,10 mm ± 0,50 mm</p>
Squareness (mm)	 <p>∅ ± 0,10 mm max. - min. ≤ 0,20 mm</p>
Height Variation (mm)	 <p>∅ ≤ 0,10 mm max. 0,15 mm</p>
Edge Straightness (mm)	 <p>≤ 0,30 mm</p>
Flatness	<p>Width Flatness, concave<0.15%, convex<0.20% Length Flatness, concave<0.50%, convex<1.0%</p>

Packaging Information					
	Length (mm)	Width (mm)	Thickness (mm)	Sq. ft. per Carton	Weight (lb. per carton)
Plank (Acacia)	Assorted Lengths 400-1210	165	12		
Plank (White Oak)	Assorted Lengths 400-1900	165	12		
Carton (Acacia)	1825	170	100	25.8	43
Carton (White Oak)	1910	170	100	27	42

Pallet Information							
	Length (mm)	Width (mm)	Height (mm)	Volume (m ³)	# of carton per Pallet	Sq. ft. /pallet	Weight (lb.)
Pallet (Acacia)	1830	1020	1000	1.87	54	1393.2	2322
Pallet (White Oak)	1920	1020	1000	1.96	54	1458	2268