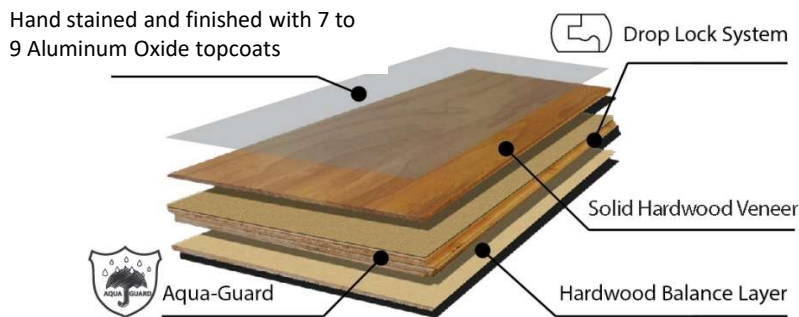


**Elevate Your Creation with the Evolution Collection: Crafted for Modern Multi & Single-Family Residential Spaces**

- It's more than just a name; it's a promise of transformation. The Evolution Collection is tailored for multi-family residential projects. We've brought together premium quality American Oak, renowned for its strength and beauty, and combined it with 6-1/2" width planks.
- The Evolution Collection offers a budget friendly and efficient installation advantage due to its Drop Lock Click system, eliminating the need for adhesives. This not only reduces installation time but also facilitates board replacement. Imagine a beautiful residential project where each space, from the cozy, functional studios to the luxurious bedrooms, exudes sophistication and elegance.

**Features**

- Uniclic® licensed Drop & Lock joint system, help save up to 50% on installation time
- Sustainably Focused: This collection carries FloorScore certification. Ethically sourced, responsibly managed wood species
- Colour Secured Stain Technology: Premium grade American Oak wood offers a high-end clean aesthetic.
- Unparalleled Durability: Finished with 7 to 9 coats of UV cured aluminum oxide.



**Product Information**

Construction	Profile	Wood Species	Dimension	The Look	
Multi Layer Ply Core	Drop & Lock	American Oak	6-1/2" x 1/2" x 75" R.L.	Wirebrushed	
Finish	Sawn Method	Residential Warranty	Commercial Warranty	Installation	Installation Instruction
Hand stained and finished with 7 to 9 Aluminum Oxide topcoats	Sliced cut, 1.5mm solid wood veneer	35-Year Residential Limited Warranty	3-Year Light Commercial Warranty	Below, on or above grade	Please refer to Installation Instruction, Care and Maintenance Guide

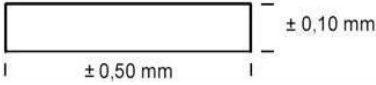

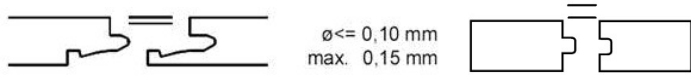
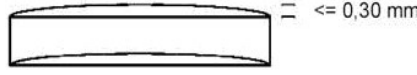
**Essential Characteristics**

Characteristics	Test Method	Requirement	Our products test result
Reaction to fire	EN13501-1	National requirement	Class C fl-s1
Content of pentachlorophenol	CEN/TR 14823	No content allowed	No content
Slip resistance	EN 13893	Class DS: $\mu \geq 0.30$	DS
Formaldehyde Emission	EN 717-1	$\leq 0.5$ mg/L	Pass

**Classification Requirements**

Characteristic	Test Method	Valuation
Effect of a furniture leg	EN 424	We recommend the use of protective mats
Effect of castor chair	EN 425	We recommend using felt pads under all furniture legs
Chemical resistance	EN 13442	Category 5
Bond strength/gross cut test	ISO 2409	Category 0
Moisture content	EN 13489	6-9%

**Tolerance**

Thickness Variance	≤0.5mm
Openings between join panels	≤0.15mm
Dimension Tolerance Length & Width (mm)	
Squareness (mm)	
Height Variation (mm)	
Edge Straightness (mm)	
Flatness	<p>Width Flatness, concave&lt;0.15%, convex&lt;0.20%</p> <p>Length Flatness, concave&lt;0.50%, convex&lt;1.0%</p>

Packaging Information					
	Length	Width	Thickness	Sq. ft.	Weight
	(mm)	(mm)	(mm)	per Carton	(lb. per carton)
<b>Plank</b>	Assorted Lengths 1900	165	12		
<b>Carton</b>	1910	175	106	27	44

Pallet Information							
	Length	Width	Height	Volume	# of carton	Sq. ft.	Weight
	(mm)	(mm)	(mm)	(m <sup>3</sup> )	per Pallet	/pallet	(lb.)
<b>Pallet</b>	1910	1050	1054	2.11	54	1458	2376